



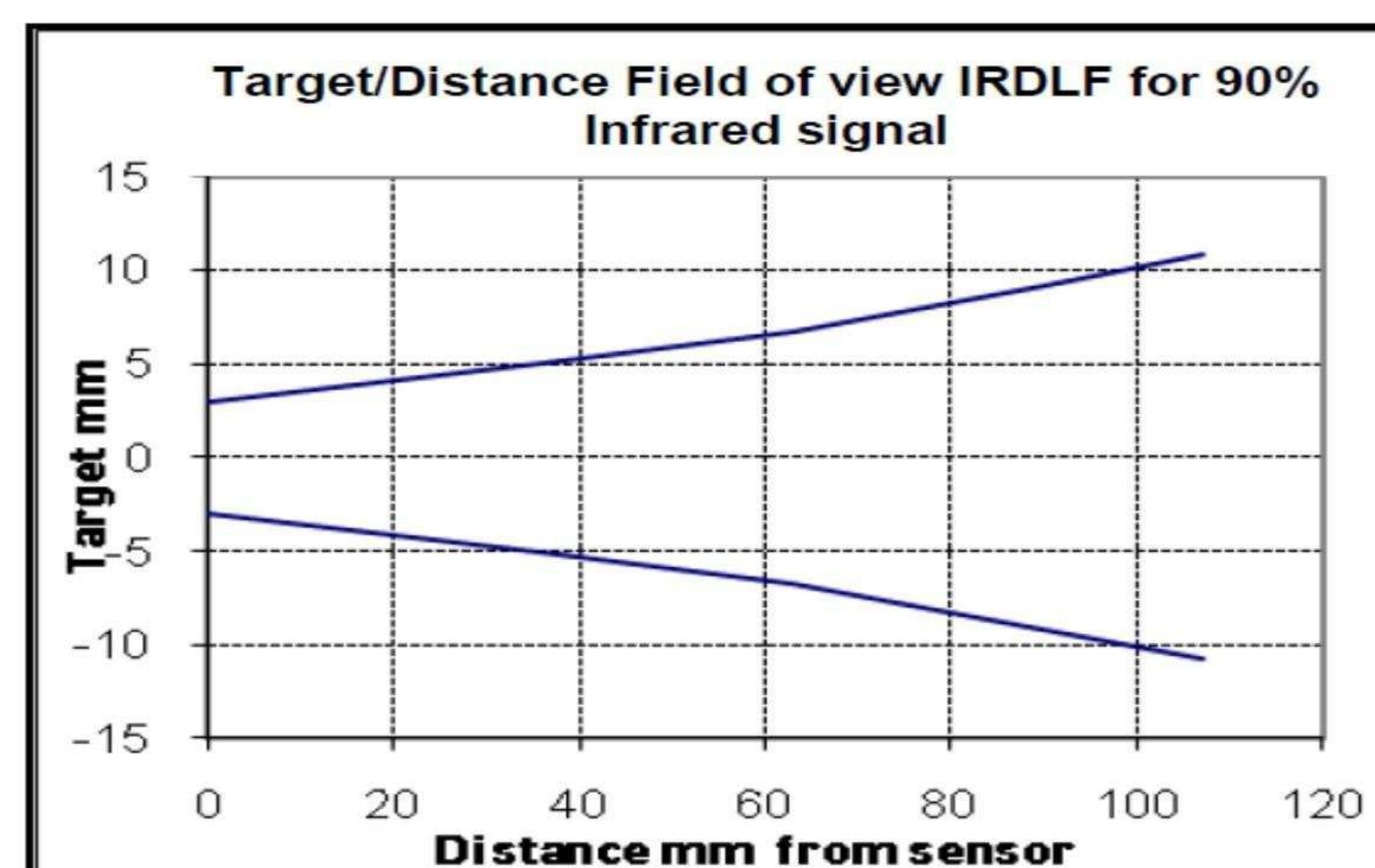
IRDLF

1/2

Digital Infrared Temperature Sensor For low emissivity materials

Range	From 50 to 800°C
Accuracy	1% FS
Sensitivity	Linear output. See calibration table. In mV/°C
Response time	3 ms
Supply voltage	5.5 to 30 V
Supply current	4 mA
Output voltage std (Supply > 5V)	0 to 5 V
Output impedance	47 Ω
Parameters*	Gain factor
Sensitive element	Photodiode with Germanium lens
Wave length	2 to 2.5 μm
Measurement distance	20 to 120 mm
Field of view (90% radiation)	4:1 @ 40 mm 5:1 @ 100 mm
Emissivity (factory tuning)	> 99 %
Emissivity/Distance tuning*	Gain factor 0.1 to 10
Operating temperature	0 to +80 °C
Storage temperature	-25 to +125 °C

"V" type



Calibration tables (for 0-5V output)

°C	200°C 24mV/°C	300°C 15mV/°C	800°C 6mV/°C	1200°C 4mV/°C
0				
50	1.20	0.75	0.30	0.20
100	2.40	1.50	0.60	0.36
150	3.60	2.25	0.90	0.60
200	4.80	3.00	1.20	0.80
300		4.50	1.80	1.20
400			2.40	1.60
500			3.00	2.00
600			3.60	2.40
700			4.20	2.80
800			4.80	3.20
1000				4.00
1150				4.60
1200				4.80

Ordering ref ex : IRDLF-200-5
IRDLF - Range - Output

200	5 (0-5V)
800	

*Only with Texense USB-Connect

1 m cable of 4X26AWG FEP
tinned copper braided cable 250V 200°C

Red	Supply
Black	0 V
Braid	Not connected
White	Analog signal
Green*	Digital signal

**AXILANE
Instruments**

10 rue des Acacias
91620 Nozay
tél : 09.50.60.40.20
fax : 09.55.60.40.20



IRDLF

Digital Infrared Temperature Sensor For low emissivity materials

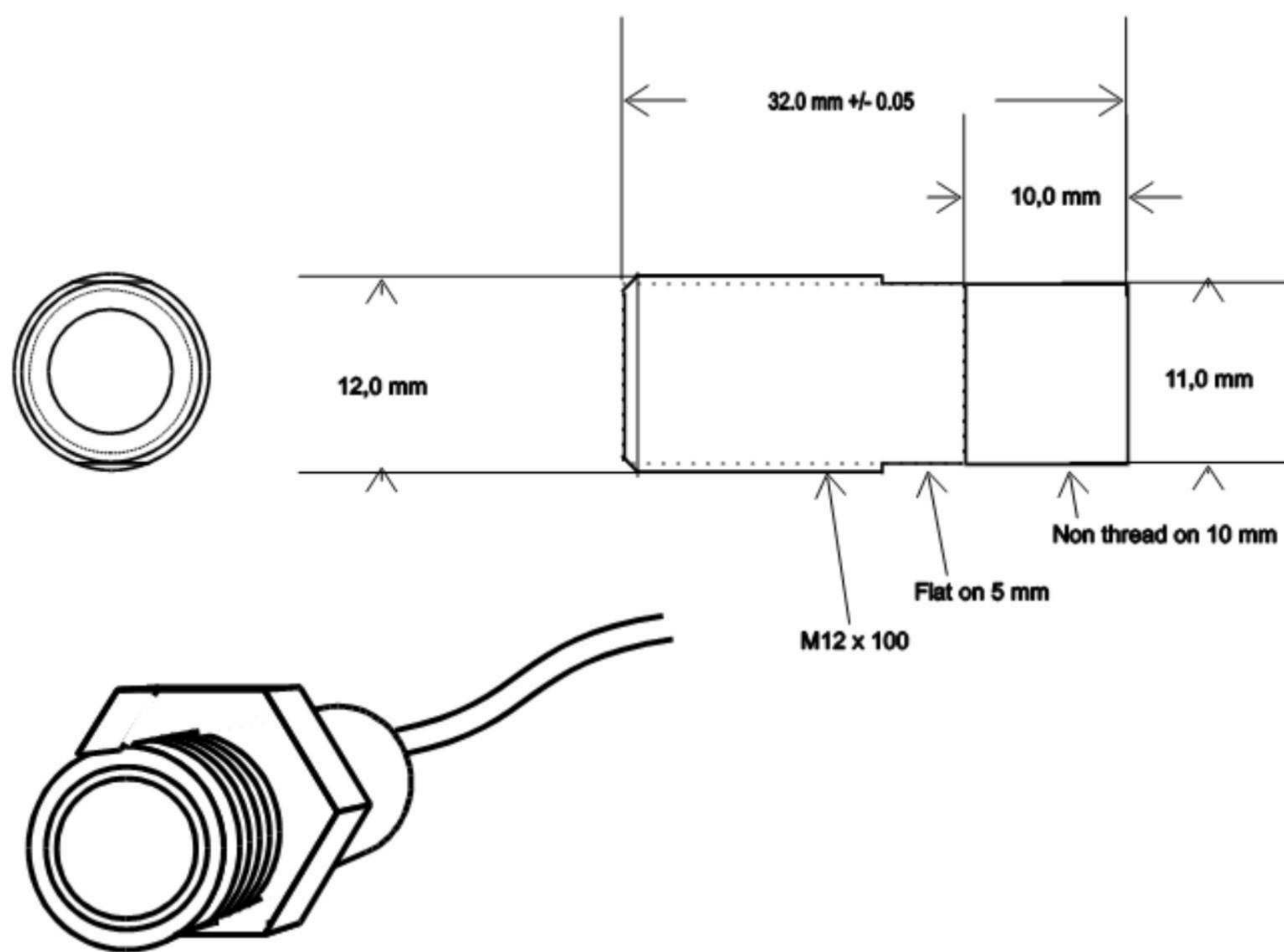
Housing
"V" type

Aluminium
M12x1x length 32 mm

Weight (without cable)

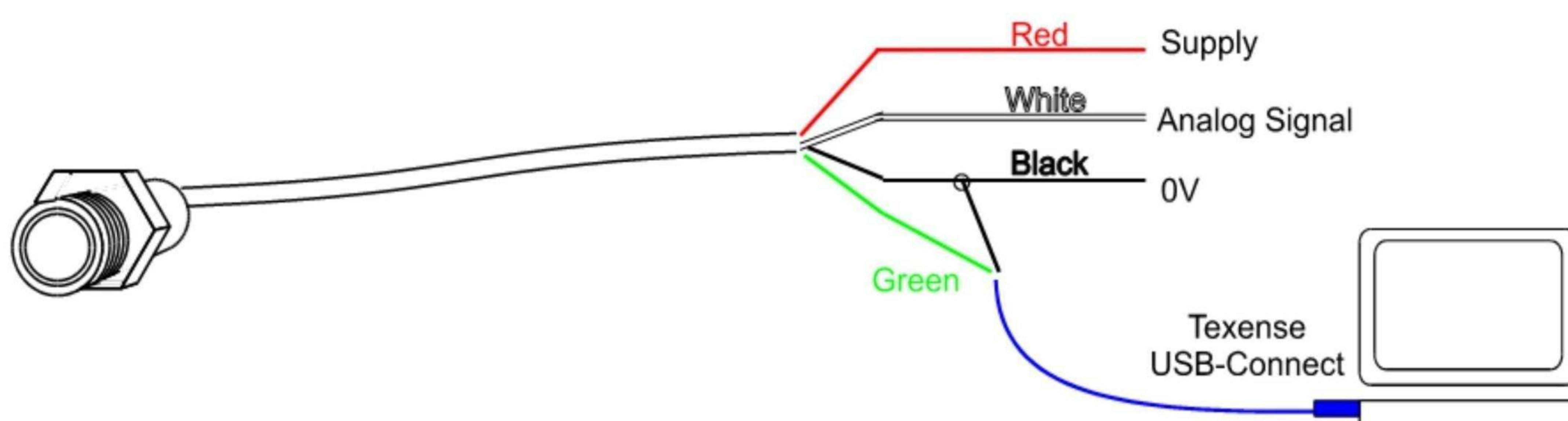
15 g

"V" type



Avoid direct sunlight or electrical lighting on the sensor as it may affect the signal

Connection



In the interest of continuous product improvement, we reserve the right to alter without prior notice the specifications and features described in this document.