



IB6 INERTIAL MODULE with 3 Axis Accelerometers and 3 Axis Gyroscopes Analog outputs

Texys sensors are designed for data recording. The user assume all responsibilities if this sensor is used in a close loop system or for active control.

Accelerometer gas		
X-Y Range	±3, ±5	G
X-Y Accuracy	±2	%FS
X-Y Sensitivity	666 to 400 ±2%	mV/G
X-Y Bandwidth 3dB	DC to 20 ±15%	Hz
X-Y signal at 0G	2.5 ±0.05	V
Offset Drift (20 to 80°C)	±20	mV
Gain Drift (20 to 80°C)	±1,5	%
Cross axis sensitivity	4	%
Accelerometer capacitive		
Z Range	±5, ±10, ±15, ±20	G
Z Accuracy	±1.5	%FS
Z Sensitivity	400 to 100 +/-8%	mV/G
Z Bandwidth 6dB (std)	DC to 100	Hz
Z signal at 0G	2.5 ±0.05	V
Offset Drift (20 to 80°C)	±20	mV
Gain Drift (20 to 80°C)	±1	%
Cross axis sensitivity	2,5	%
Gyroscope		
Range	±50, ±100, ±150	°/s
Accuracy	±2	%FS
Sensitivity	40, 20, 13.3	mV/°/s
Cut off frequency 1st order	50	Hz
Signal at 0°/sec	2.5 ±0.1	V
Offset drift (20 to 80°C)	±25	mV
Gain Drift (20 to 80°C)	±1	%
Supply Voltage	5 to 16	V
Supply Current	28	mA
Output Voltage	0-5	V
Output Impedance	47	Ω
Housing Dim	36 x 26.5 x 25.5	mm
Material	Aluminium	
Weight	60	g
Protection	IP66	
Vibration test	20 G pp 5'	
Shock	500	G
Operating Temp	-20 to +85	°C
Storage Temp	-40 to +125	°C

Accelerometer Sensor Readings			
	X	Y	Z
Signal (V) @ -1G			
Signal(V) @ 0G			
Signal (V) @ +1G			
Sensitivity (mV/G)			
Cut off frequency (Hz)			
Cross axis (%)			
Gyroscope Sensor Readings			
	0°/s	mV/°/s	
X			
Y			
Z			

Connector : ASDD-0-08-11-P-N

Function	Pin
Supply Acc	1
0V Acc	2
Signal X Acc	3
Signal Y Acc	4
Signal Z Acc	5
Supply Gyro	6
0V Gyro	7
Signal X Gyro	8
Signal Y Gyro	9
Signal Z Gyro	10
Not connected	11

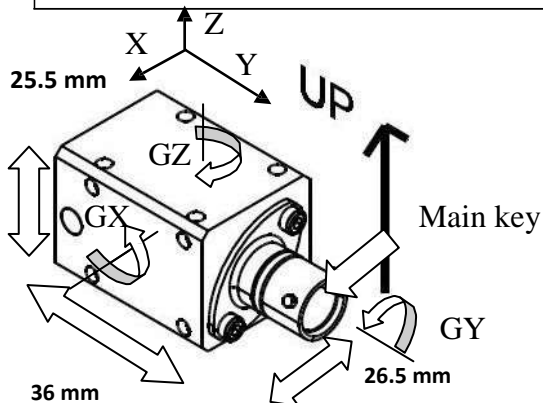
Acc. Calibration table						Gyro. Calibration table			
g	3G 666mV/g	5G 400 mV/g	10G 200 mV/g	15G 133mV/g	20G 100mV/g	°/s	±50°/s 40mV/°/s	±100°/s 20mV/°/s	±150°/s 13.3mV/°/s
-20					0.5				
-15				0.5	1.0	-150			0.5
-10			0.5	1,17	1.5	-100		0.5	1,17
-5		0.5	1.5	1,83	2.0	-50	0.5	1.5	1,83
-3	0.5	1.3	1.9	2.1	2.2	-25	1.5	2	2.17
0	2.5	2.5	2.5	2.5	2.5	0	2.5	2.5	2.5
3	4.5	3.7	3.1	2.9	2.8	25	3.5	3	2.83
5		4.5	3.5	3,17	3.0	50	4.5	3.5	3.17
10			4.5	3,83	3.5	100		4.5	3,83
15				4.5	4.0	150			4.5
20					4.5				

Out of Range

Ordering ref ex: IB6-XY5-Z15-GX150-GY50-GZ150

IB6-XYRange-ZRange-GXRange-GYRange-GZRange

Range				
Acc XY	±3g	±5g		
Acc Z	±5g	±10g	±15g	±20g
Gyro XYZ	±50°/s	±100°/s	±150°/s	



IB6-V2 1/1 03-02-2012